

ColorScape®

Defining Colorful Library Spaces



Abraham Lincoln Elementary School
Madison, WI



Create Colorful, Inviting & Inspiring Landscapes

A uniquely flexible and functional collection of library furniture, the ColorScape line can be used throughout your library to create rich and colorful environments that appeal to all.



Encourage interaction with your collection by integrating seating and displays. Use pops of colors to draw children into a bright space with fun and functional browsers, displays and shelving designed just for them.



Create a dedicated space where teens feel comfortable just being. Configure dynamic zones targeted to studying, socializing and just hanging out.

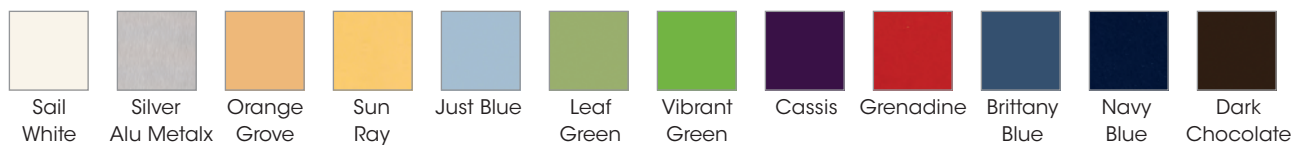


Attract adults with striking displays that highlight your most popular collections. Add flexibility by incorporating hidden casters on lower height units.



Color Palette

12 standard laminate colors to choose from. Special laminate colors and fabrics may be selected. Call for pricing.





ColorScape Shelving pairs colored laminate with rich wood veneers in a convenient starter/adder system.



Slatwall Panel



Shelving Unit with Flat and Display Shelves



Curved Corner Unit

Create merchandising opportunities by integrating sloping shelves and slatwall panels with traditional flat and picture-book shelving.



Design unique layouts with corner connector pieces and integrated bench seating.



Brooklyn Arbor Elementary School
Brooklyn, NY



Lincoln
Elementary School
Evanston, IL

Your library and furnishings can seamlessly flow together when color is strategically applied throughout the space.



Lincoln
Elementary School
Evanston, IL

Incorporate power access points into tables.



Plainfield-Guilford Township Public Library
Plainfield, IN



Hawthorne Elementary School
Madison, WI

Taking Your Vision to Reality

- Design/Layout
- Product Selection
- Project Management
- Installation

See demcointeriors.com
to view our portfolio



Children's Browser Bin



Children's Browser Bin with Benches



Children's Display Tower

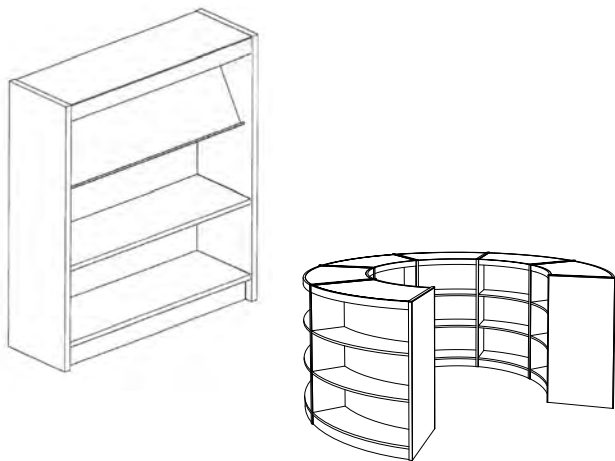


Slover Library
Norfolk, VA

Accommodate large collections with perfect-height browsers featuring face-out displays and pull-out drawers.

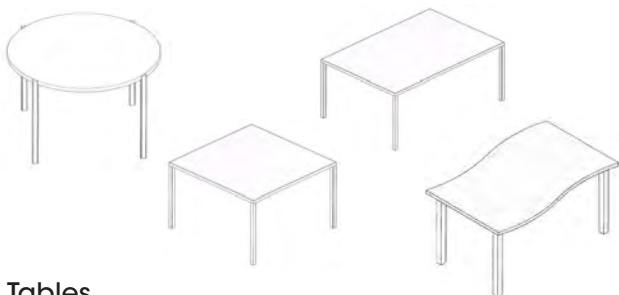


Climb into a Playpod, cozy up and stay awhile. Choose fabric or vinyl and add your own message.



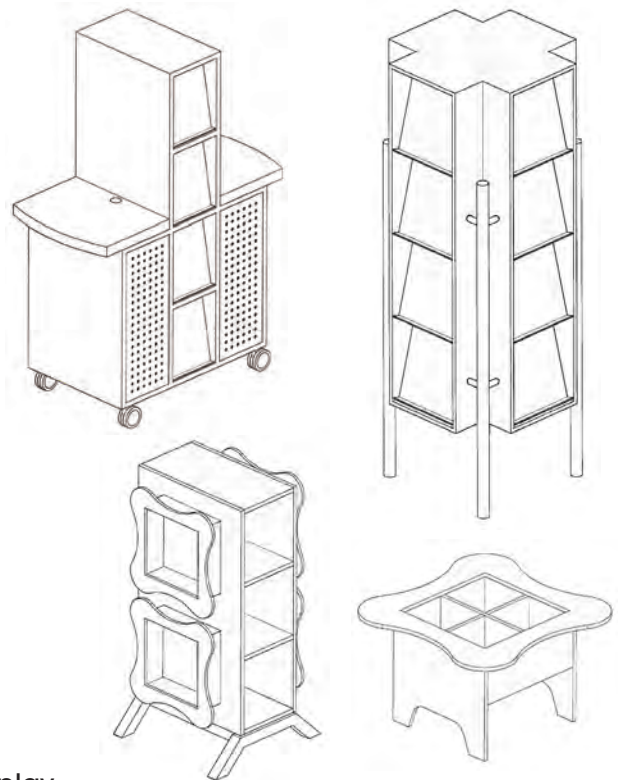
Shelving

- Starter/adder system with 1" thick veneer-core plywood, red oak or maple vertical uprights
- Flat shelves are kiln-dried, ¾" thick solid red oak or maple. Display shelves are ¾" thick with high-pressure laminate surface and solid red oak or maple retaining edge
- Available in 36", 42", 48", 60", 72" and 82" heights; 36" width; and 10" and 12" shelf depths; also available in curved configurations
- Optional 3" dia. casters on concealed frames available for 36", 42" and 48" double-faced units
- Standard finishes are Natural Oak and Natural Maple, with additional standard stains available



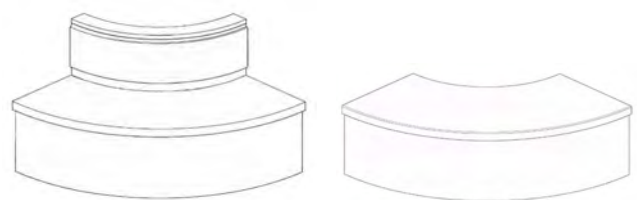
Tables

- ½" thick industrial grade particleboard core tops and 2¼" square wood legs
- Available in round, square, rectangular and wave tabletop shapes in a variety of sizes
- Available in 25", 27" and 29" heights



Display

- ¾" thick plywood tops, bases and/or vertical end or back panels finished with a hardwood edge
- OPAC units feature 1" thick veneer core panels; 2" thick veneer core work surfaces with 2" dia. grommets
- Browser Tables are 22½"H and End-of-range Browser Boxes are 15" or 18"H to match seating height options
- Children's Display Tower available in 37½" or 50½" heights
- Display Tower has 1½" dia. steel legs. Steel shelves are 11"W x 14"H and pivot on shelf pins. Overall footprint is 21½" square by 54" or 69"H



Bench Seating

- ¾" thick plywood frames, exposed sides veneered in red oak or maple
- 3" thick upholstered cushion with standard fabrics that meet CA Code 117 standards for fire resistance
- Available in 15" or 18" seat heights; with optional straight or curved back